

## Simplicity Bubblers

### Chilled Beverage Dispensers 3x18 L, agitator model with locking lid

ITEM # \_\_\_\_\_

MODEL # \_\_\_\_\_

NAME # \_\_\_\_\_

SIS # \_\_\_\_\_

AIA # \_\_\_\_\_



CCCRL3 (ECS3L22)

Chilled Beverage Dispenser with 3x18 liter bowls with agitator and locking lid, R290

### Short Form Specification

Item No. \_\_\_\_\_

Chilled beverage dispenser, 3x18lt, with agitation function for fresh juices, coffees, or teas with minimal foaming system. Dispense 3 flavors in 18lt easy-clean bowls with 23cm cup clearance. Easy-off bowl release system for faster and easier assembly and disassembly. Bowls with locking lid for added safety against tampering.

Temperature range from 1.7 - 5° C. Pre-mix dispenser with stainless steel base and clear plastic bowls. Compact size of 52 cm.

### Main Features

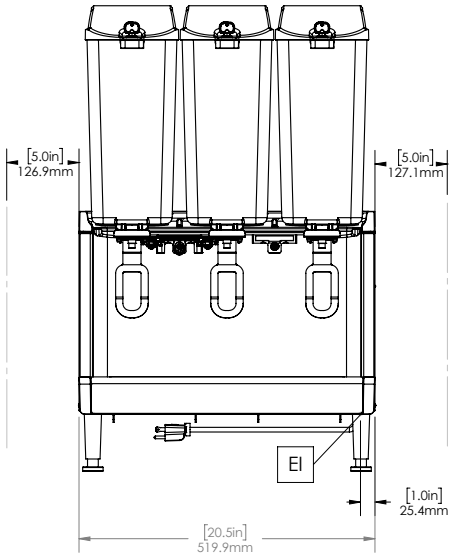
- Agitation function for fresh juices, coffees, or teas with minimal foaming system.
- Easy-off bowl release system for faster and easier assembly and disassembly.
- User friendly design enables machine to dispense product till the very last drop.
- Dispense 3 flavors in 18 L easy-clean bowls with 23 cm cup clearance.

### Construction

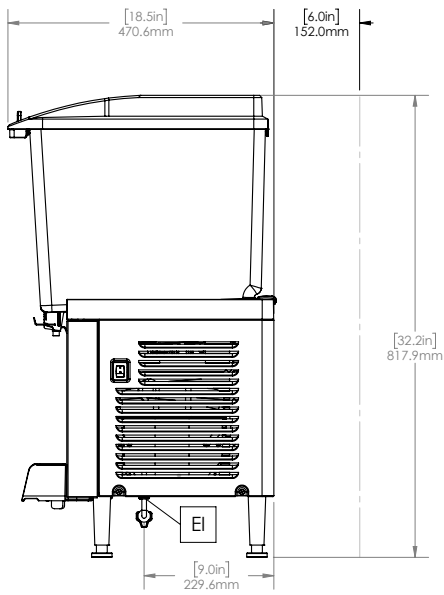
- Pre-mix dispenser with stainless steel base and clear plastic bowls.
- Fewer removable parts to simplify cleaning and reduce maintenance.
- Temperature range from 1.7 - 5° C.
- Compact size of 52 cm wide saves valuable counter space.
- The air intakes from the bottom and exhaust to back.
- Locking lid for added safety against tampering.
- Refrigerant type: R290.

APPROVAL: \_\_\_\_\_

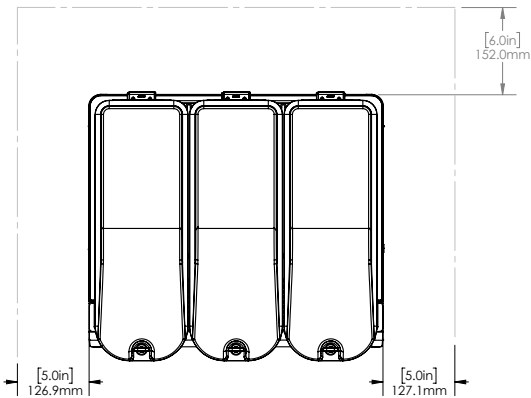
Front



Side



Top



**Simplicity Bubblers**  
Chilled Beverage Dispensers 3x18 L, agitator model with locking lid

The company reserves the right to make modifications to the products without prior notice. All information correct at time of printing.

**Electric**

Supply voltage:	220-240 V/1N ph/50/60 Hz
Electrical power max.:	0.6 kW

**Key Information:**

Net weight:	33 kg
Shipping weight:	35 kg
Shipping height:	640 mm
Shipping width:	490 mm
Shipping depth:	630 mm

**Sustainability**

Refrigerant type:	R290
Refrigerant weight:	85 g